

Tracked carriers

UTILITY LINE

BT85D



B-TRACK

General Features

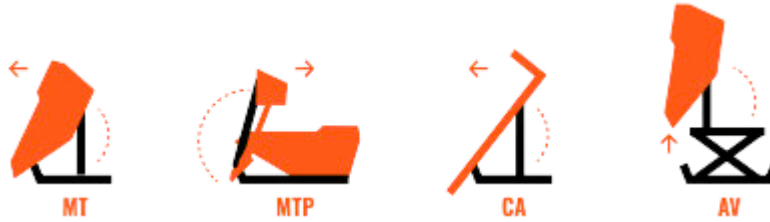
Rubber tracked carrier, with hydraulic transmission controlled by manual levers with three gear pumps and fixed displacement orbital engines. Steering throughout independent rotation of the tracks. Innovative and patented cooling system by forced air.

2nd travel speed operated by a lever on the hydraulic distributor. Operational double effect P.T.O. (not available in BT50 and BT50d version) with a delivery of max. 20 lt/min and pressure 150 bar. Other flows /pressures are also available on specific demand. Tracked undercarriage suitable for different specific applications



B-TRACK

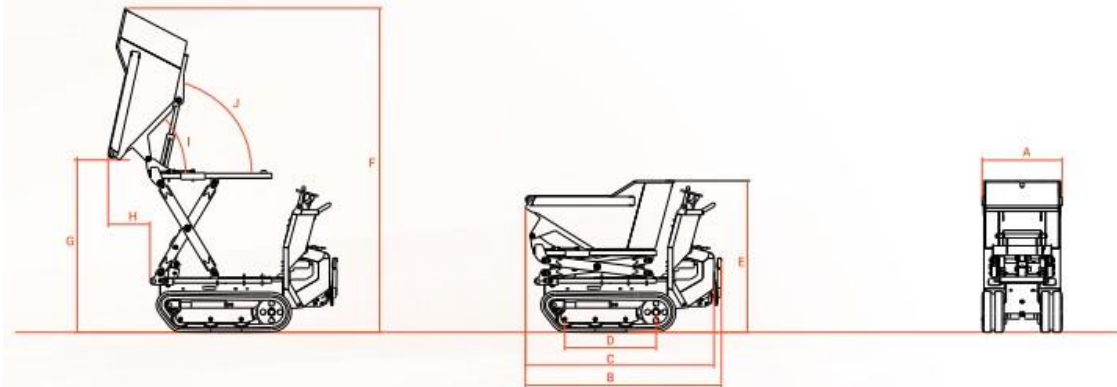
Technical Data



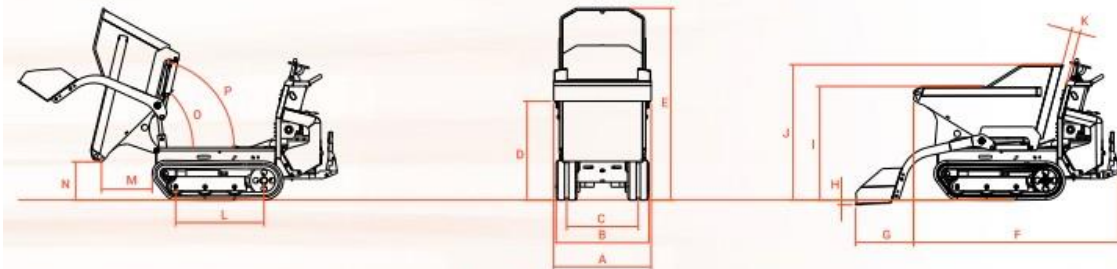
		MT - MTP						CA				AV		
		bt85d						bt85d				bt85d		
Skip capacity Muldeninhalt - heaped gehäuft * SAE Standard - struck flach * SAE Standard - liquids Flüssigkeit	m ³	0,30	0,30	0,38	0,38	0,38	0,22	0,22	0,30	0,30	0,30	0,27	0,27	0,38
	m ³	0,26	0,26	0,32	0,32	0,32	0,18	0,18	0,28	0,28	0,28	0,23	0,23	0,32
	m ³	0,18	0,18	0,20	0,20	0,20	-	-	-	-	-	0,16	0,16	0,20
bt85d														
Operational weight with shovel without operator Eigengewicht mit Schaufel ohne Bediener	kg	505			550			600		635			615	
Max payload undercarriage Max Nutzlast Unterwagen	kg	500			500			800		850			850	
Engine type - Air cooling Motortyp - Luftkühlung		Petrol Benzin Honda GX200			Diesel Diesel Yanmar L70N6			Petrol Benzin Honda GX270		Diesel Diesel Yanmar L100N6			Petrol Benzin Honda GX390	
Max. Power Max. Leistung	cv/kW PS/kW	5.8/4.3			6.6/4.9			9/6.6		10/7.4			13/9.6	
Cylinder/Displacement Zylinder/Hubraum	n/m ³	1/196			1/320			1/270		1/406			1/389	
Hydraulic system: 3 Gears pumps Hydraulischesystem: 3 Zahnradpumpe		2x12.5 lt/min@ 190 bar			2x12.5 lt/min@ 190 bar			2x20.5 lt/min@ 175 bar		2x20.5 lt/min@ 175 bar			2x20.5 lt/min@ 175 bar	
N. 2 speeds I/II N. 2 Fahrgeschwindigkeiten I/II	Km/h	0-1.8/0-3.9			0-1.6/0-5.2			0-2.1/0-4.2		0-2.1/0-4.2			0-2.1/0-4.2	
Specific ground pressure: empty/loaded Bodendruck: im Leerzustand/baladen	kg/cm ²	0.118/0.254			0.151/0.240			0.166/0.335		0.190/0.360			0.181/0.350	
Max.gradient capability with operational loading Max. befahrbare Steigung mit Betriebslast	%	30			30			30		30			30	
Fuel tank capacity Kraftstofftank	lt	3,2			3,3			6		5,5			6,5	
Hydraulic oil tank capacity Hydrauliköltank	lt	18			18			22		30			30	
Track width Breite der raupenkettens	mm	180			180			180		180			180	
Track tensioning Kettenspannung	type typ	Spring and screw Feder und schraube			Spring and screw Feder und schraube			Spring and screw Feder und schraube		Spring and screw Feder und schraube			Spring and screw Feder und schraube	

B-TRACK

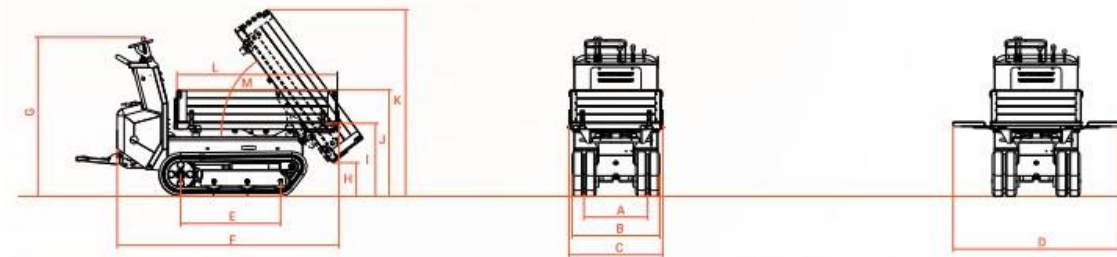
Dimensions



AV	A	B	C	D	E	F	G	H	I	J
bt85d	660	1616	1555	753	1249	2671	1423	345	46°	78°
	660	1616	1555	753	1249	2671	1423	345	46°	78°
	790	1762	1701	753	1249	2671	1423	345	46°	78°



MT - MTP	A	B	C	D	E	F	G	H	I	J	K	L	M	N	O	P
bt85d	700	660	480	842	1631	1600	497	41	967	1153	73	753	432	325	45°	76°
	700	660	480	842	1631	1600	497	41	967	1153	73	753	432	325	45°	76°
	830	790	610	842	1633	1746	496	41	967	1152	75	753	432	325	45°	76°
	830	790	610	842	1633	1746	496	41	967	1152	75	753	432	325	45°	76°
	830	790	610	842	1633	1746	496	41	967	1152	75	753	432	325	45°	76°



CA	A	B	C	D	E	F	G	H	I	J	K	L	M
bt85d	480	660	707	1254	753	1670	1180	225	550	800	1400	1210	53°
	480	660	707	1254	753	1670	1180	225	550	800	1400	1210	53°
	610	790	840	1390	753	1720	1180	225	550	800	1400	1230	53°
	610	790	840	1390	753	1720	1180	225	550	800	1400	1230	53°
	610	790	840	1390	753	1720	1180	225	550	800	1400	1230	53°

B-TRACK